

# WR series



## WR 9606 TCX

---

DAS Audio Group, S.L. - C/ Islas Baleares 24 - 46988  
Fuente del Jarro - Valencia - Spain - Tel. +34961340860  
Updated (DD/MM/YYYY): 26/06/2024



SOUND WITH SOUL

## KEY FEATURES

- 2-way system for outdoor installation
- CX finish (ISO-flex) for covered exposure
- IP54 ingress protection rating
- Single 6" loudspeaker
- 1" annular diaphragm M-26 compression driver
- Stainless steel hreaded fixing points for wall mounts
- Version with 100 W/100 V line transformer

## DESCRIPTION

The WR-9606 is a 2-way full-range passive system that incorporates a 6B loudspeaker for the reproduction of low frequencies and the M-26 compression driver (1" diaphragm ) that provides brilliant high end reproduction.

The ultra-compact enclosures are made from birch plywood and are available in black, white or military gray depending on the exterior finish. The WR-9606 is an IP56 system and offers two exposure ratings: CX (covered exposure) for applications where cabinets are covered or protected, and DX (direct exposure) where cabinets are unprotected and directly exposed to the environment. The CX versions are protected with a thick ISO-flex polyurea coating.

The DX versions augment the protection rating by employing a fiberglass exterior. Stainless steel fittings and mounting hardware are offered on both versions. Available in version with 100 / 70V multi-tap transformer.

# WR 9606 TCX

---

DAS Audio Group, S.L. - C/ Islas Baleares 24 - 46988  
Fuente del Jarro - Valencia - Spain - Tel. +34961340860  
Updated (DD/MM/YYYY): 26/06/2024



SOUND WITH SOUL

## SPECIFICATIONS

### Performance

Frequency Range (-10 dB)	76 Hz – 20 kHz
Horizontal Coverage (-6 dB)	90°
Vertical Coverage	60°
Transformer Taps 70 V	12.5 W - 25 W - 50 W - 100 W
Transformer Taps 100 V	25 W - 50 W - 100 W
RMS Power Handling	100 W
Peak Power Handling	400 W
On-axis Sensitivity 1W/1 m	92 dB SPL
Maximum Peak SPL at 1 m	117 dB
Recommended Amplifier	INTEGRAL-A402
	INTEGRAL-A404
	INTEGRAL-A1002
	INTEGRAL-A1004
	INTEGRAL-A1602
	INTEGRAL-A1604
	INTEGRAL-MA1004
Recommended Processor	INTEGRAL-MA1604
	INTEGRAL-MA1004
	INTEGRAL-M88

### Connectors

Audio Input Connector	Covered Barrier Strip Terminals
Audio Output Connector	Covered Barrier Strip Terminals

# WR 9606 TCX

DAS Audio Group, S.L. - C/ Islas Baleares 24 - 46988  
Fuente del Jarro - Valencia - Spain - Tel. +34961340860  
Updated (DD/MM/YYYY): 26/06/2024



## Enclosure

Enclosure Construction	Birch Plywood
Enclosure Geometry	Trapezoidal
Rigging	M10 Rigging Points
Finish	ISO-flex Paint
Color	Black
IP Rating	IP56
Depth	255 mm (10,0 in)
Dimensions ( H x W x D )	385 x 220 x 255 mm 15,2 x 8,7 x 10,0 in
Net Weight	9,0 kg ( 19,9 lb )

## Components

LF Driver	6B
HF Driver	M-26
Horn/Waveguide	BCT-96

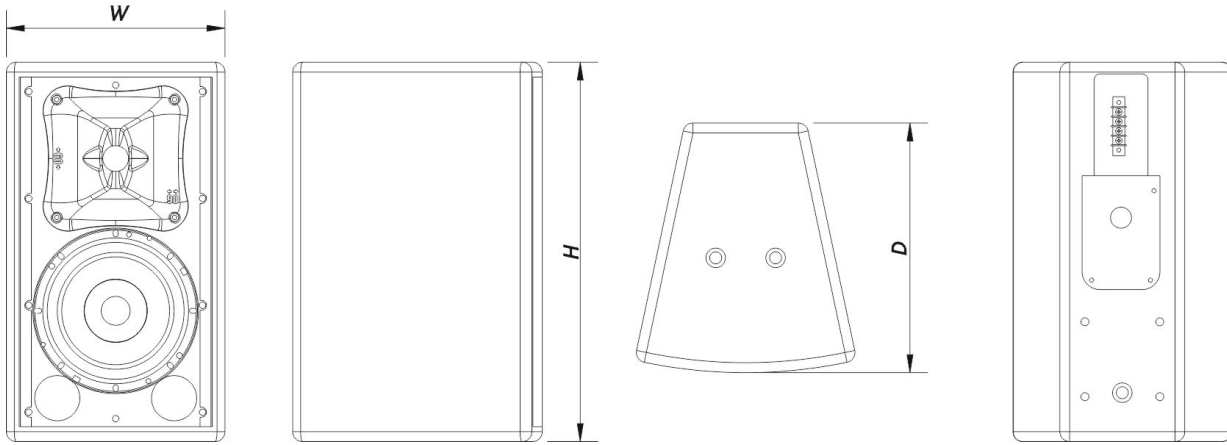
## DIMENSIONS

# WR 9606 TCX

DAS Audio Group, S.L. - C/ Islas Baleares 24 - 46988  
Fuente del Jarro - Valencia - Spain - Tel. +34961340860  
Updated (DD/MM/YYYY): 26/06/2024



SOUND WITH SOUL



## ORDERING INFORMATION

Model	Description	P/N
<b>System</b>		
WR-9606-TCX		10428265
<b>Replacement Parts</b>		
6B	Cone Transducer	20208260
BCT-96	Horn	30006201
F-HN06.96	Filter Network	20150040
M-26	Compression Driver	10207070
<b>Accessories</b>		
ANL-2	Rigging Accessories	10101020
AXR-AR5	Installation & Stacking Acc.	10104870
AXU-WR9606	Installation & Stacking Acc.	10105148
AXW-1	Installation & Stacking Acc.	10104140

# WR 9606 TCX

DAS Audio Group, S.L. - C/ Islas Baleares 24 - 46988  
 Fuente del Jarro - Valencia - Spain - Tel. +34961340860  
 Updated (DD/MM/YYYY): 26/06/2024

