

artec 500 series



## ARTEC-506A-115

---

DAS Audio Group, S.L. - C/ Islas Baleares 24 - 46988  
Fuente del Jarro - Valencia - Spain - Tel. +34961340860  
Updated (DD/MM/YYYY): 13/10/2024



SOUND WITH SOUL

## KEY FEATURES

- Ultra lightweight Class D amplifier
- Switch-mode power supply
- Reduced size and weight
- Horizontal or vertical position
- Pole mount accessories

## DESCRIPTION

The ARTEC-506A incorporates a single 6" loudspeaker for low frequency reproduction. The 720 W peak power of the Class D amplifier provides extended bandwidth, improved dynamic range and exceptionally low distortion-features hard to find on other systems in this market segment. The DAS 6P loudspeaker provides accurate low frequency reproduction. High frequencies are handled by the M-34 compression driver with 1" exit offering excellent HF performance. The birch plywood cabinet construction offers an ultra-compact design which is available in black or white.

# ARTEC-506A-115

---

DAS Audio Group, S.L. - C/ Islas Baleares 24 - 46988  
Fuente del Jarro - Valencia - Spain - Tel. +34961340860  
Updated (DD/MM/YYYY): 13/10/2024



SOUND WITH SOUL

## SPECIFICATIONS

### Performance

Frequency Range (-10 dB)	65 Hz - 20 kHz
Horizontal Coverage (-6 dB)	80°
Vertical Coverage	80°
Maximum Peak SPL at 1 m	118 dB

### Electronics and Connectors

Nominal Amplifier Power LF (continuous)	360 W
Nominal Amplifier Power LF (peak)	720 W
Nominal Amplifier Power HF (continuous)	180 W
Nominal Amplifier Power HF (peak)	360 W
Input Type	Balanced
Input Impedance	20 kohms
Input Sensitivity	1.95 V (+8 dBu)
Audio Signal Input Connector	1 x Female XLR
Audio Signal Loop Thru Connector	1 x Male XLR
Recommended Signal Processing	INTEGRAL-M88
Current Draw 230 V / 115 V	-/2.4 A

### Enclosure

Enclosure Construction	Birch Plywood
Enclosure Geometry	Trapezoidal
Rigging	M10 Rigging Points
Finish	ISO-flex Paint

# ARTEC-506A-115

DAS Audio Group, S.L. - C/ Islas Baleares 24 - 46988  
Fuente del Jarro - Valencia - Spain - Tel. +34961340860  
Updated (DD/MM/YYYY): 13/10/2024



SOUND WITH SOUL

Color	Black
Dimensions ( H x W x D )	385 x 195 x 260 mm 15,2 x 7,7 x 10,2 in
Net Weight	9,0 kg ( 19,8 lb )

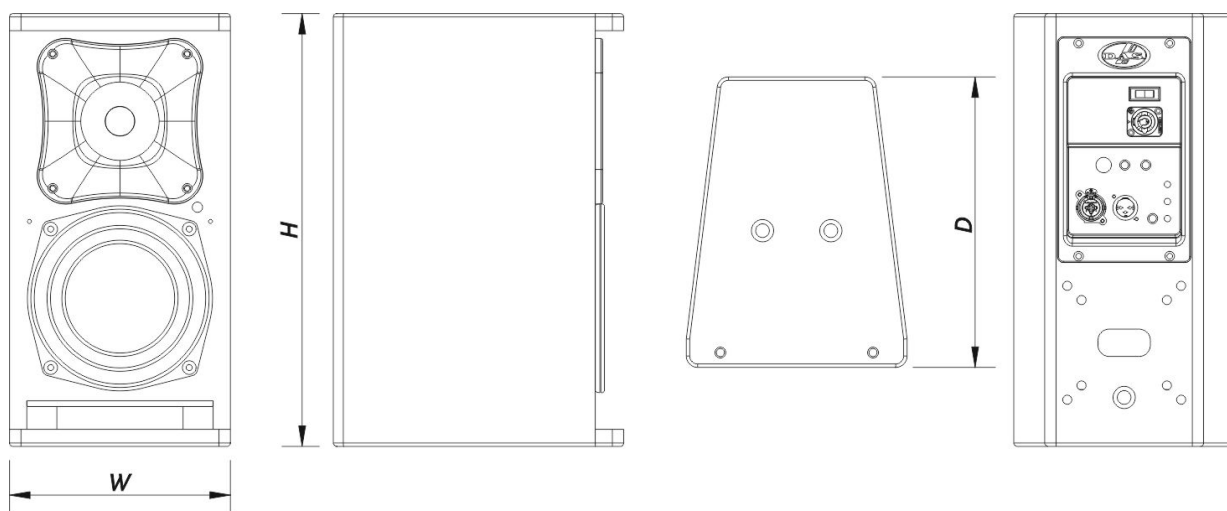
### Components

LF Driver	6P
HF Driver	M-34
Horn/Waveguide	BC-88

### Shipping

Carton Dimensions ( H x W x D )	471 x 266 x 330 mm 18,5 x 10,5 x 13,0 in
Shipping Weight	11,4 kg ( 25,1 lb )

### DIMENSIONS



Model	Description	P/N
-------	-------------	-----

# ARTEC-506A-115

DAS Audio Group, S.L. - C/ Islas Baleares 24 - 46988  
 Fuente del Jarro - Valencia - Spain - Tel. +34961340860  
 Updated (DD/MM/YYYY): 13/10/2024



## ORDERING INFORMATION

### System

---

ARTEC-506A-115	10423370
----------------	----------

---

### Replacement Parts

---

6P	Cone Transducer	20208730
BC-88	Horn	30003945
DSP-ARTEC-506A	Dsp	20406330
GM-M34	Diaphragm	20205060
M-34	Compression Driver	10207080
MP-ARTEC-506A-115	Power Module	30005293

---

### Accessories

---

ANL-2	Rigging Accessories	10101020
AX-SPG1	Installation & Stacking Acc.	10105050
AX-SPG2	Installation & Stacking Acc.	10105060
AXC-AT	Installation & Stacking Acc.	10104310
AXC-ZT	Installation & Stacking Acc.	10104320
AXR-AR5	Installation & Stacking Acc.	10104870
AXU-AR506	Installation & Stacking Acc.	10104500
AXW-1	Installation & Stacking Acc.	10104140
TRD-6	Installation & Stacking Acc.	10104470
TRD-7	Installation & Stacking Acc.	10104471
TRPD-S2-PAK	Installation & Stacking Acc.	10104011

---

# ARTEC-506A-115

---

DAS Audio Group, S.L. - C/ Islas Baleares 24 - 46988  
Fuente del Jarro - Valencia - Spain - Tel. +34961340860  
Updated (DD/MM/YYYY): 13/10/2024



SOUND WITH SOUL