

INTEGRAL series



INTEGRAL-MC02

DAS Audio Group, S.L. - C/ Islas Baleares 24 - 46988
Fuente del Jarro - Valencia - Spain - Tel. +34961340860
Updated (DD/MM/YYYY): 15/11/2024



SOUND WITH SOUL

KEY FEATURES

- Dante enabled electret condenser microphone
- Wide dynamic range and frequency response
- Accurate sound reproduction
- Cardioid pattern
- Powered by PoE
- Integrated user switch control on/off
- Red LED indicator when active
- Local rotatory microphone gain control

DESCRIPTION

INTEGRAL-MC02 is a Dante-enabled desktop electret condenser gooseneck microphone. Desktop base allows microphones to be used in multi-purpose or conferencing rooms, retail stores, or large installations with big distances between the sound sources where digital audio via ethernet is the perfect solution.

The desktop base includes a 3-pin XLR type input connector for the microphone and a Dante ethernet output connector enabling direct connection to the digital audio network. The user button with integrated red indicator permits advanced local control.

INTEGRAL-MC02

DAS Audio Group, S.L. - C/ Islas Baleares 24 - 46988
Fuente del Jarro - Valencia - Spain - Tel. +34961340860
Updated (DD/MM/YYYY): 15/11/2024



SOUND WITH SOUL

SPECIFICATIONS

Performance

Microphone Type	Electret Condenser
Frequency Response	40 Hz -16 kHz (+0 -0.5dB)
Input Impeadance	2.2 kohms
Max Input	0 dBu
Polar Pattern	Cardioid
Sensitivity	-44 dB
Power Requirements	PoE IEEE802.3af
Power Consumption	15 W

Dimensions-Weight

Dimensions (H x W x D)	370 x 103 x 157 mm 14,5 x 4,0 x 6,2 in
Net Weight	1,3 kg (0,6 lb)

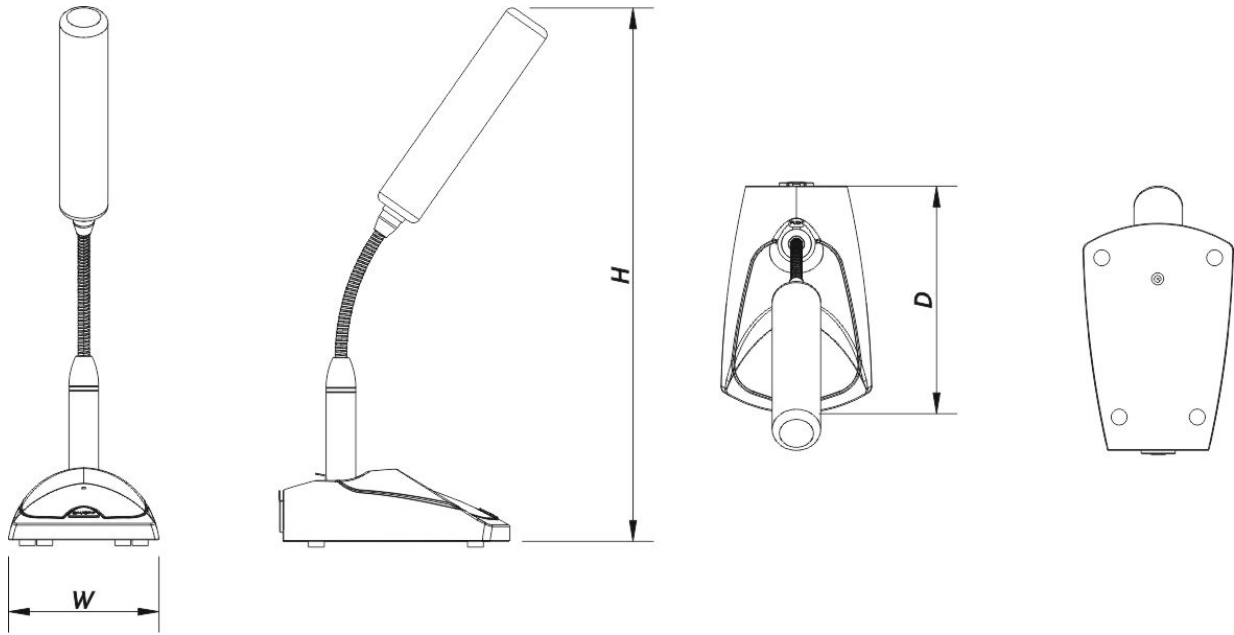
DIMENSIONS

INTEGRAL-MC02

DAS Audio Group, S.L. - C/ Islas Baleares 24 - 46988
Fuente del Jarro - Valencia - Spain - Tel. +34961340860
Updated (DD/MM/YYYY): 15/11/2024



SOUND WITH SOUL



**ORDERING
INFORMATION**

Model	Description	P/N
System		
INTEGRAL-MC02		10721020

INTEGRAL-MC02

DAS Audio Group, S.L. - C/ Islas Baleares 24 - 46988
 Fuente del Jarro - Valencia - Spain - Tel. +34961340860
 Updated (DD/MM/YYYY): 15/11/2024

