

**artec 500 series**



## **ARTEC-S15-W**

DAS Audio Group, S.L. - C/ Islas Baleares 24 - 46988  
Fuente del Jarro - Valencia - Spain - Tel. +34961340860  
Updated (DD/MM/YYYY): 13/10/2024



SOUND WITH SOUL

## KEY FEATURES

- Bassreflex subwoofer system
- 15" low frequency transducer
- Precise and powerful bass reproduction
- Top located pole mount socket

## DESCRIPTION

The Artec S15 band-pass bass system incorporates a 15SX low frequency transducer with a 4 " voice coil. The loudspeaker is protected by a perforated steel grille, sealed against corrosion using a powder coat finish. The Artec S15 is designed for use in biamped systems. A top located pole-mount socket permits mounting full-range systems above the Artec S15 and two bar handles makes moving easy.

# ARTEC-S15-W

---

DAS Audio Group, S.L. - C/ Islas Baleares 24 - 46988  
Fuente del Jarro - Valencia - Spain - Tel. +34961340860  
Updated (DD/MM/YYYY): 13/10/2024



SOUND WITH SOUL

## SPECIFICATIONS

### Performance

Frequency Range (-10 dB)	45 Hz – 138 Hz
Nominal Impedance	8 ohms
RMS Power Handling	800 W
Peak Power Handling	3200 W
On-axis Sensitivity 1W/1 m	99 dB SPL
Maximum Peak SPL at 1 m	137 dB
Recommended Amplifier	DX-80-230 DX-80-115
Recommended Processor	DSP-2040

### Connectors

Audio Input Connector	1 x speakON NL4
Audio Output Connector	1 x speakON NL4

### Enclosure

Enclosure Construction	Birch Plywood
Enclosure Geometry	Rectangular
Rigging	M10 Rigging Points
Finish	ISO-flex Paint
Color	White
Depth	585 mm (23,0 in)
Dimensions ( H x W x D )	515 x 465 x 585 mm 20,3 x 18,3 x 23,0 in
Net Weight	32,0 kg ( 70,6 lb )

# ARTEC-S15-W

DAS Audio Group, S.L. - C/ Islas Baleares 24 - 46988  
Fuente del Jarro - Valencia - Spain - Tel. +34961340860  
Updated (DD/MM/YYYY): 13/10/2024



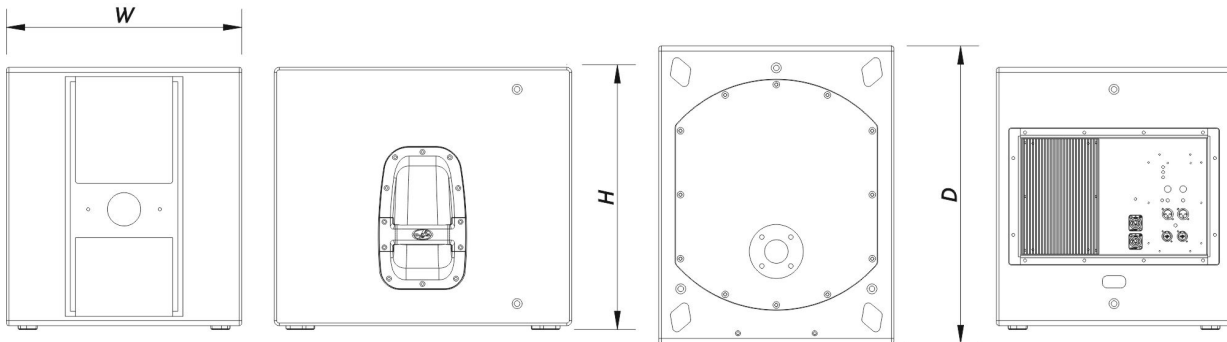
## Components

LF Driver	15LXN
-----------	-------

## Shipping

Carton Dimensions ( H x W x D )	580 x 510 x 632 mm 22,8 x 20,1 x 24,9 in
Shipping Weight	34,5 kg ( 76,1 lb )

## DIMENSIONS



## ORDERING INFORMATION

Model	Description	P/N
-------	-------------	-----

### System

ARTEC-S15-W		10423730
-------------	--	----------

### Replacement Parts

15LXN	Cone Transducer	10214360
GM-15LX	Recone Kit	20208320

# ARTEC-S15-W

DAS Audio Group, S.L. - C/ Islas Baleares 24 - 46988  
Fuente del Jarro - Valencia - Spain - Tel. +34961340860  
Updated (DD/MM/YYYY): 13/10/2024



SOUND WITH SOUL

## Accessories

ANL-2	Rigging Accessories	10101020
TRD-6	Installation & Stacking Acc.	10104470

# ARTEC-S15-W

DAS Audio Group, S.L. - C/ Islas Baleares 24 - 46988  
Fuente del Jarro - Valencia - Spain - Tel. +34961340860  
Updated (DD/MM/YYYY): 13/10/2024



SOUND WITH SOUL