

VANTEC SERIES



VANTEC-18A

DAS Audio Group, S.L. - C/ Islas Baleares 24 - 46988
Fuente del Jarro - Valencia - Spain - Tel. +34961340860
Updated (DD/MM/YYYY): 15/10/2024



SOUND WITH SOUL

KEY FEATURES

- Powered subwoofer system
- High output 18LX loudspeaker
- Polarity switch (0°/180°)
- Filtered output defeat switch
- Variable 80-125 Hz lowpass filter
- Gain control
- Rigging points

DESCRIPTION

The VANTEC-18A is a powered subwoofer system designed to provide extended bass response for the Vantec-full range cabinets. A 2000 W_{peak} advanced Class D amplifier drives a DAS 18LX-long excursion loudspeaker incorporates a 4" voice coil for high power handling and output.

The VANTEC-18A subwoofer system offers two balanced inputs with stereo filtered output connections for Vantec-satellite systems. The variable crossover ranges from 80 Hz 125 Hz and can be defeated to offer stereo "loop thru" connections. A gain control and polarity reverse feature increase user control over the system. A standard 35 mm pole mount socket allows the VANTEC-18A to be used with satellite systems.

VANTEC-18A

DAS Audio Group, S.L. - C/ Islas Baleares 24 - 46988
Fuente del Jarro - Valencia - Spain - Tel. +34961340860
Updated (DD/MM/YYYY): 15/10/2024



SOUND WITH SOUL

SPECIFICATIONS

Performance

Frequency Range (-10 dB)	Loud: 35 Hz - 125 Hz - Deep: 30 Hz - 125 Hz
Maximum Peak SPL at 1 m	134 dB

Electronics and Connectors

Nominal Amplifier Power (continuous)	1000 W
Nominal Amplifier Power (peak)	2000 W
Input Type	Balanced
Input Impedance	20 kohms
Input Sensitivity	3 V (+12 dBu)
Audio Signal Input Connector	2 x Female XLR
Audio Signal Loop Thru Connector	2 x Male XLR
AC Output Connector	powerCON NAC3FCB
Current Draw 230 V / 115 V	1.5 A/3.0 A

Enclosure

Enclosure Construction	Birch Plywood
Enclosure Geometry	Rectangular
Rigging	M10 Rigging Points
Finish	ISO-flex Paint
Color	Black
Dimensions (H x W x D)	720 x 545 x 655 mm 28,3 x 21,5 x 25,8 in
Net Weight	40,5 kg (89,2 lb)

VANTEC-18A

DAS Audio Group, S.L. - C/ Islas Baleares 24 - 46988
Fuente del Jarro - Valencia - Spain - Tel. +34961340860
Updated (DD/MM/YYYY): 15/10/2024



SOUND WITH SOUL

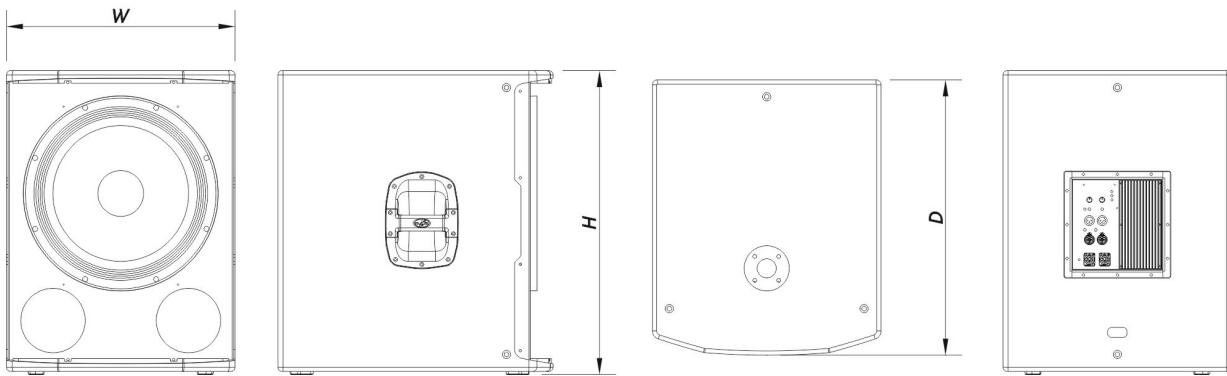
Components

LF Driver	18LX
-----------	------

Shipping

Carton Dimensions (H x W x D)	820 x 616 x 726 mm 32,3 x 24,3 x 28,6 in
Shipping Weight	44,0 kg (97,0 lb)

DIMENSIONS



ORDERING INFORMATION

Model	Description	P/N
-------	-------------	-----

System

VANTEC-18A		10431100
------------	--	----------

Replacement Parts

18LX	Cone Transducer	10214270
DSP-VANTEC-18A	Dsp	20406431

VANTEC-18A

DAS Audio Group, S.L. - C/ Islas Baleares 24 - 46988
Fuente del Jarro - Valencia - Spain - Tel. +34961340860
Updated (DD/MM/YYYY): 15/10/2024



GM-18LX	Recone Kit	20208310
MP-VANTEC-18A	Power Module	30006241
S-PRO2	Amplifier	20406649

Accessories

ANL-2	Rigging Accessories	10101020
FUN-VT18	Transport Accessories	10103740
TRD-6	Installation & Stacking Acc.	10104470
TRD-7	Installation & Stacking Acc.	10104471

VANTEC-18A

DAS Audio Group, S.L. - C/ Islas Baleares 24 - 46988
Fuente del Jarro - Valencia - Spain - Tel. +34961340860
Updated (DD/MM/YYYY): 15/10/2024



SOUND WITH SOUL