

# ACTION 500 *series*



## ACTION-S18A

---

DAS Audio Group, S.L. - C/ Islas Baleares 24 - 46988  
Fuente del Jarro - Valencia - Spain - Tel. +34961340860  
Updated (DD/MM/YYYY): 28/11/2024



SOUND WITH SOUL

## KEY FEATURES

- Active subwoofer system
- 1500 Wpeak Class D amplifier
- Birch plywood enclosure
- Durable ISO-flex paint

## DESCRIPTION

ACTION-S18A is a high-power active subwoofer system that incorporates a 1500 Wpeak amplifier and single 18FW4 speaker with a 3" coil and 20 mm winding depth, double layer and sandwich to boost system power, as well as a new forced convection circuit that that works to reduce the effects of voice coil heating.

As part of our company culture, all our systems are developed under a single philosophy: to deliver the highest possible quality in terms of both materials and overall system design. In the ACTION-500 series we use the same birch plywood as our touring systems for a tight, natural warm sound found nowhere else on the market.

# ACTION-S18A

---

DAS Audio Group, S.L. - C/ Islas Baleares 24 - 46988  
Fuente del Jarro - Valencia - Spain - Tel. +34961340860  
Updated (DD/MM/YYYY): 28/11/2024



SOUND WITH SOUL

## SPECIFICATIONS

### Performance

Frequency Range (-10 dB)	35 Hz -125 Hz (variable LPF)
Maximum Peak SPL at 1 m	134 dB

### Electronics and Connectors

Nominal Amplifier Power (continuous)	750 W
Nominal Amplifier Power (peak)	1500 W
Input Type	Balanced
Input Impedance	20 kohms
Input Sensitivity	1.95 V (+8 dBu)
Audio Signal Input Connector	2 x Female XLR
Audio Signal Loop Thru Connector	1 x Male XLR
Control	DAScontrol™
Current Draw 230 V / 115 V	1.4 A/2.8 A

### Enclosure

Enclosure Construction	Birch Plywood
Enclosure Geometry	Rectangular
Rigging	M10 Rigging Points
Finish	ISO-flex Paint
Color	Black
Dimensions ( H x W x D )	720 x 545 x 660 mm 28,3 x 21,5 x 26,0 in
Net Weight	42,5 kg ( 93,7 lb )

# ACTION-S18A

DAS Audio Group, S.L. - C/ Islas Baleares 24 - 46988  
Fuente del Jarro - Valencia - Spain - Tel. +34961340860  
Updated (DD/MM/YYYY): 28/11/2024



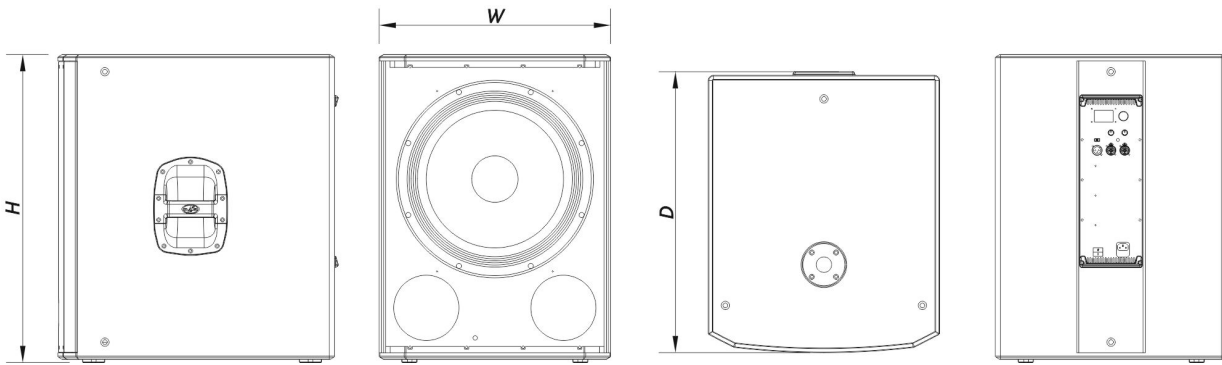
## Components

LF Driver	18FW4
-----------	-------

## Shipping

Carton Dimensions ( H x W x D )	795 x 595 x 690 mm 31,3 x 23,4 x 27,2 in
Shipping Weight	45,5 kg ( 100,3 lb )

## DIMENSIONS



## ORDERING INFORMATION

Model	Description	P/N
<b>System</b>		
ACTION-S18A		10427256
<b>Replacement Parts</b>		
18FW4	Transducer	20208982
DSP-ACTION-S-18A	Dsp	20406596

# ACTION-S18A

DAS Audio Group, S.L. - C/ Islas Baleares 24 - 46988  
Fuente del Jarro - Valencia - Spain - Tel. +34961340860  
Updated (DD/MM/YYYY): 28/11/2024



GM-18FW4	Recone Kit	20208532
MP-ACT518A	Power Module	20406586
ORBIT300+300UM	Amplifier	30007232

### **Accessories**

ANL-2	Rigging Accessories	10101020
FUN-VT18	Transport Accessories	10103740
TRD-6	Installation & Stacking Acc.	10104470
TRD-7	Installation & Stacking Acc.	10104471

# **ACTION-S18A**

DAS Audio Group, S.L. - C/ Islas Baleares 24 - 46988  
Fuente del Jarro - Valencia - Spain - Tel. +34961340860  
Updated (DD/MM/YYYY): 28/11/2024



SOUND WITH SOUL