

ACTION 500 *series*



ACTION 512

DAS Audio Group, S.L. - C/ Islas Baleares 24 - 46988
Fuente del Jarro - Valencia - Spain - Tel. +34961340860
Updated (DD/MM/YYYY): 09/07/2024



SOUND WITH SOUL

KEY FEATURES

- Passive two-way system
- Birch plywood enclosure
- Durable ISO-flex paint
- Recommended processor: DSP-226
- Recommended amplifier: PA series

DESCRIPTION

ACTION-512 is a passive system designed to deliver a highly versatile solution, from fixed installations to the popular portable PA application. Its rotatable horn with 90° x 60° dispersion means the enclosure can be used horizontally in a fixed installation, as a stage monitor or even as front fill.

As part of our company culture, all our systems are developed under a single philosophy: to deliver the highest possible quality in terms of both materials and overall system design. In the ACTION-500 series we use the same birch plywood as our touring systems for a tight, natural warm sound found nowhere else on the market.

For long-term optimal performance of the ACTION-500 passive versions, the system can only be a complete sound system when rounded out with our amplifiers and processors with stored presets and limiters.

ACTION 512

DAS Audio Group, S.L. - C/ Islas Baleares 24 - 46988
Fuente del Jarro - Valencia - Spain - Tel. +34961340860
Updated (DD/MM/YYYY): 09/07/2024



SOUND WITH SOUL

SPECIFICATIONS

Performance

Frequency Range (-10 dB)	50 Hz – 20 kHz
Horizontal Coverage (-6 dB)	90°
Vertical Coverage	60°
Nominal Impedance	8 ohms
RMS Power Handling	300 W
Peak Power Handling	1200 W
On-axis Sensitivity 1W/1 m	96 dB SPL
Maximum Peak SPL at 1 m	131 dB
Recommended Amplifier	PA-1500

Connectors

Audio Input Connector	1 x speakON NL4
Audio Output Connector	1 x speakON NL4

Enclosure

Enclosure Construction	Birch Plywood
Enclosure Geometry	Trapezoidal
Rigging	M10 Rigging Points
Finish	ISO-flex Paint
Color	Black
Depth	380 mm (15,0 in)
Dimensions (H x W x D)	620 x 385 x 380 mm 24,4 x 15,2 x 15,0 in

ACTION 512

DAS Audio Group, S.L. - C/ Islas Baleares 24 - 46988
Fuente del Jarro - Valencia - Spain - Tel. +34961340860
Updated (DD/MM/YYYY): 09/07/2024



Net Weight 19,0 kg (41,8 lb)

Components

LF Driver 12MI

HF Driver M-34

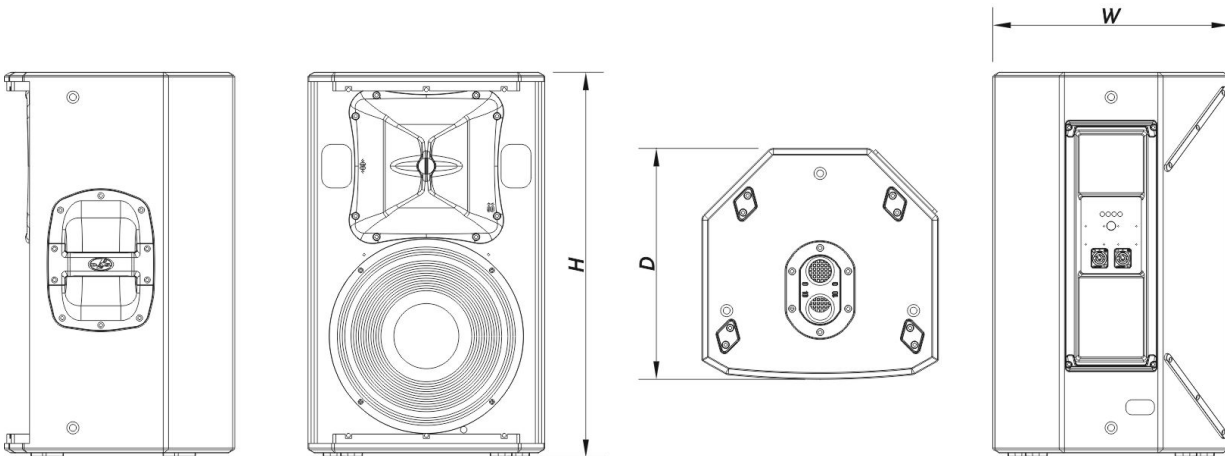
Horn/Waveguide BC-916

Shipping

Carton Dimensions (H x W x D) 690 x 435 x 435 mm
27,2 x 17,1 x 17,1 in

Shipping Weight 21,0 kg (44,4 lb)

DIMENSIONS



ORDERING INFORMATION

Model	Description	P/N
-------	-------------	-----

System

ACTION 512

DAS Audio Group, S.L. - C/ Islas Baleares 24 - 46988
Fuente del Jarro - Valencia - Spain - Tel. +34961340860
Updated (DD/MM/YYYY): 09/07/2024



ACTION-512

10427246

Replacement Parts

12MI	Cone Transducer	10214310
BC-916	Horn	30006590
F-ACT512	Filter	30009291
GM-12MI	Recone Kit	20208290
GM-M34	Diaphragm	20205060
M-34	Compression Driver	10207080

Accessories

ANL-2	Rigging Accessories	10101020
AXF-X12	Installation & Stacking Acc.	10104831
AXU-ACT512	Installation & Stacking Acc.	10104605
FUN-VT12	Transport Accessories	10103710
SPK4-1	Electronic Accessories	20502000
SPK4-10	Electronic Accessories	20502001
SPK4-20	Electronic Accessories	20502002
TRD-6	Installation & Stacking Acc.	10104470
TRD-7	Installation & Stacking Acc.	10104471
TRPD-S2-PAK	Installation & Stacking Acc.	10104011

ACTION 512

DAS Audio Group, S.L. - C/ Islas Baleares 24 - 46988
Fuente del Jarro - Valencia - Spain - Tel. +34961340860
Updated (DD/MM/YYYY): 09/07/2024



SOUND WITH SOUL