

# DECO series



## DECO 80 TS

DAS Audio Group, S.L. - C/ Islas Baleares 24 - 46988  
Fuente del Jarro - Valencia - Spain - Tel. +34961340860  
Updated (DD/MM/YYYY): 26/06/2024



SOUND WITH SOUL

## KEY FEATURES

- High-Performance 8" Ceiling Subwoofer.
- Multi-tap transformer 8 ohm & 100V.
- Quick Install: Auto-locking tabs for secure, hands-free mounting.
- Easy Access: Front selector for hassle-free power adjustments.
- PK-80T accessory for versatile pendant mounting, available in white or black
- Frameless grille design, available in white or black.

## DESCRIPTION

The DECO-80-TS is a high-performance ceiling subwoofer designed for top-tier audio performance and seamless aesthetic integration. Featuring a sturdy steel enclosure, it provides omnidirectional coverage with a frequency range of 50 Hz to 190 Hz, ideal for enhancing low-frequency in different environments. Engineered for adaptability, it is equipped with a 4-way Phoenix connector for secure audio input. The DECO-80-TS operates at 8-ohm nominal impedance or in a 100V line system, with transformer tap settings of 25W, 50W, and 100W accessible at the front for easy post-installation adjustments. With an RMS power handling of 200W and a peak of 800W, and a maximum peak SPL of 115 dB, it delivers powerful and impactful bass.

Its compact design, with a cut-out diameter of 290 mm (11.4 in) and a depth of 215 mm (8.5 in), allows straightforward installation in various ceiling environments. Weighing 5.5 kg (12.1 lb), it is built for long-lasting performance and aesthetic discretion. The PK-80T accessory transforms it into a pendant speaker for greater placement flexibility and sound direction, particularly beneficial in open architecture spaces or areas where traditional ceiling mounting is not optimal. Available in black and white finishes, the DECO series seamlessly matches any interior design.

For optimal performance, pair the DECO-80-TS with the INTEGRAL-A1002 or INTEGRAL-A1604 amplifiers. Utilizing the Integral Matrix and processors, fully compatible with ALMA™, enhances the subwoofer's capabilities through custom presets and comprehensive monitoring and control, ensuring effortless system management and superior audio quality.

# DECO 80 TS

---



## SPECIFICATIONS

### Performance

Frequency Range (-10 dB)	50 Hz – 190 Hz
Nominal Impedance	8 ohms
Transformer Taps 70 V	8 $\Omega$ / 12.5 W / 25 W / 50 W
Transformer Taps 100 V	8 $\Omega$ / 25 W / 50 W / 100 W
RMS Power Handling	200 W
Peak Power Handling	800 W
On-axis Sensitivity 1W/1 m	89 dB SPL
Maximum Peak SPL at 1 m	115 dB
Recommended Amplifier	INTEGRAL-A402
	INTEGRAL-A404
	INTEGRAL-A1002
	INTEGRAL-A1004
	INTEGRAL-A1602
	INTEGRAL-A1604
	INTEGRAL-MA1004
INTEGRAL-MA1604	
Recommended Processor	INTEGRAL-M88
	INTEGRAL-MA1604
	INTEGRAL-MA1004
	INTEGRAL-M26X

### Connectors

Audio Input Connector	4-way Phoenix 3.8 mm
-----------------------	----------------------

# DECO 80 TS

DAS Audio Group, S.L. - C/ Islas Baleares 24 - 46988  
Fuente del Jarro - Valencia - Spain - Tel. +34961340860  
Updated (DD/MM/YYYY): 26/06/2024

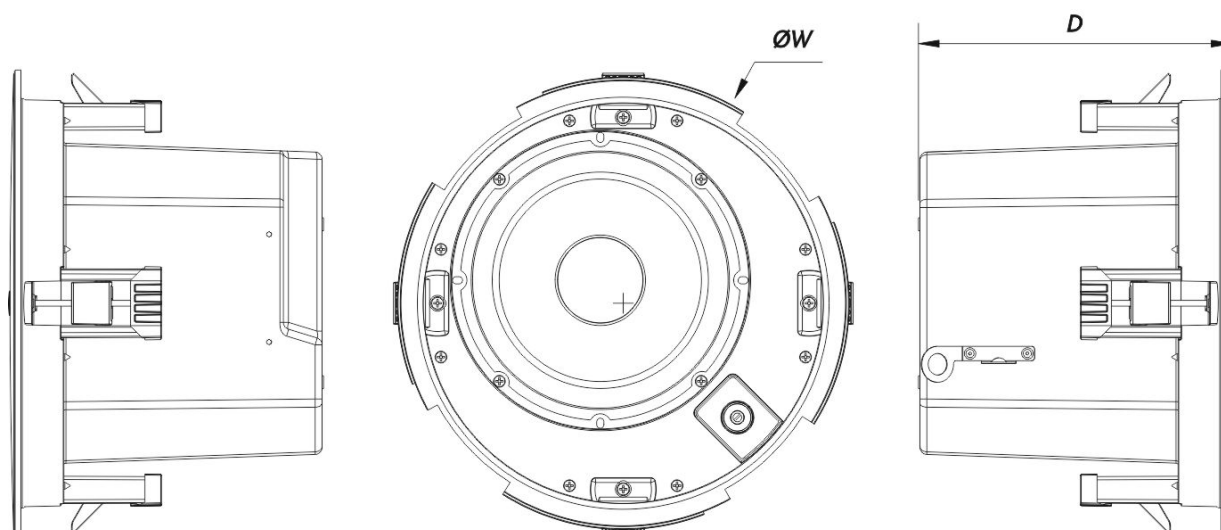


SOUND WITH SOUL

## Enclosure

Enclosure Geometry	Round
Cut Out Diameter	290 mm (11,4 in)
Depth	215 mm (8,5 in)
Dimensions ( H x W x D )	321 x 321 x 215 mm 12,6 x 12,6 x 8,5 in
Net Weight	5,5 kg ( 12,1 lb )

## DIMENSIONS



## ORDERING INFORMATION

Model	Description	P/N
System		
DECO-80-TS		10213224

# DECO 80 TS

DAS Audio Group, S.L. - C/ Islas Baleares 24 - 46988  
Fuente del Jarro - Valencia - Spain - Tel. +34961340860  
Updated (DD/MM/YYYY): 26/06/2024



## Accessories

PK-80T	Installation & Stacking Acc.	10213420
PK-80TW	Installation & Stacking Acc.	10213450
SP-PRE-DECO-80T	Installation & Stacking Acc.	10213302

# DECO 80 TS

DAS Audio Group, S.L. - C/ Islas Baleares 24 - 46988  
Fuente del Jarro - Valencia - Spain - Tel. +34961340860  
Updated (DD/MM/YYYY): 26/06/2024



SOUND WITH SOUL