

# INTEGRAL series



## INTEGRAL-MC01

DAS Audio Group, S.L. - C/ Islas Baleares 24 - 46988  
Fuente del Jarro - Valencia - Spain - Tel. +34961340860  
Updated (DD/MM/YYYY): 15/11/2024



SOUND WITH SOUL

## KEY FEATURES

- Electret condenser microphone
- Wide dynamic range and frequency response
- Accurate sound reproduction
- 12-48Vdc Phantom Power required (or 3Vdc Batteries)
- Cardioid pattern

## DESCRIPTION

INTEGRAL-MC01 is a desktop electret condenser gooseneck microphone. Desktop base allows microphones to be used in multi-purpose or conferencing rooms, retail stores, etc. where quick setup or permanent installation is required.

The desktop base features two 3-pin XLR type input and output connectors enabling direct connection to the audio receivers and microphone. The user button with integrated red indicator permits advanced local control.

The desktop base includes a built-in preamplifier which works with two AAA batteries (3 Vdc) in case of not having the possibility of connecting it to a source providing phantom power.

# INTEGRAL-MC01

---



## SPECIFICATIONS

### Performance

Microphone Type	Electret Condenser
Frequency Response	40 Hz -16 kHz (+0 -0.5dB)
Polar Pattern	Cardioid
Output Impedance	75 Ohm
Power Requirements	12-48 Vdc Phantom or 3 Vdc Batteries
Power Consumption	25 mA

### Dimensions-Weight

Dimensions ( H x W x D )	360 x 115 x 142 mm 14,0 x 4,5 x 5,6 in
Net Weight	0,6 kg ( 0,3 lb )

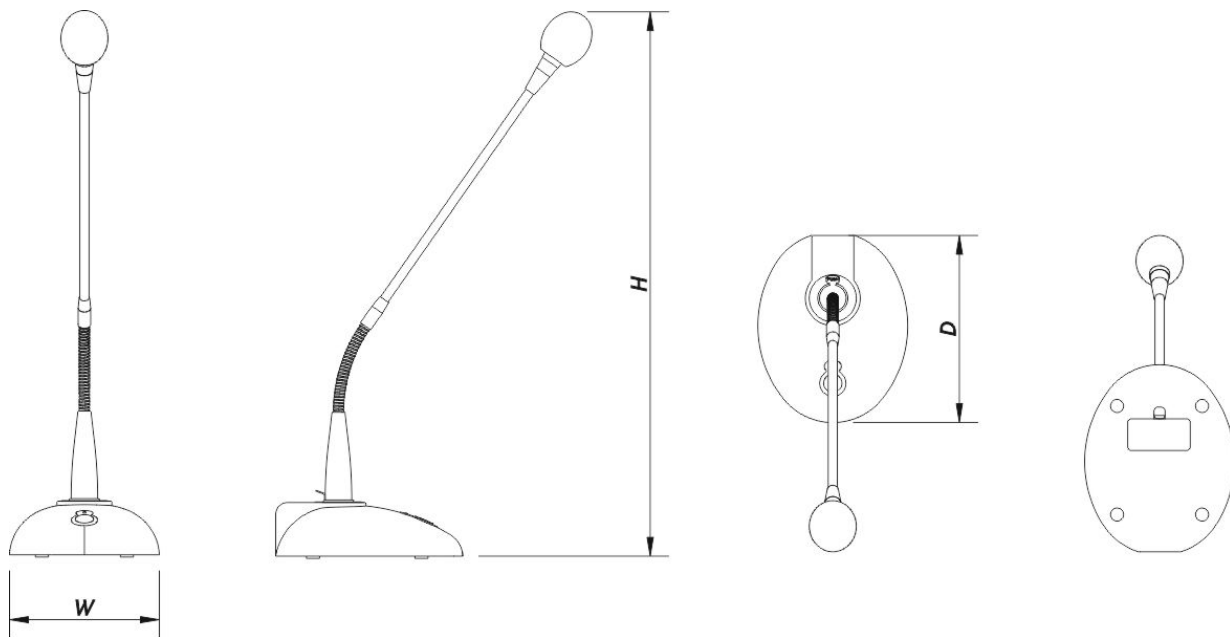
## DIMENSIONS

# INTEGRAL-MC01

DAS Audio Group, S.L. - C/ Islas Baleares 24 - 46988  
Fuente del Jarro - Valencia - Spain - Tel. +34961340860  
Updated (DD/MM/YYYY): 15/11/2024



SOUND WITH SOUL



## ORDERING INFORMATION

Model	Description	P/N
<b>System</b>		
INTEGRAL-MC01		10721010

# INTEGRAL-MC01

DAS Audio Group, S.L. - C/ Islas Baleares 24 - 46988  
 Fuente del Jarro - Valencia - Spain - Tel. +34961340860  
 Updated (DD/MM/YYYY): 15/11/2024



SOUND WITH SOUL