

*Altea*⁴⁰⁰



ALTEA 415

DAS Audio Group, S.L. - C/ Islas Baleares 24 - 46988
Fuente del Jarro - Valencia - Spain - Tel. +34961340860
Updated (DD/MM/YYYY): 24/05/2024



SOUND WITH SOUL

KEY FEATURES

- 2-way, full range system
- 15" bass loudspeaker
- 1" compression driver
- Angled enclosure design for stage monitor use
- Built-in rigging points
- Stand mountable

DESCRIPTION

The ALTEA-415 and ALTEA-412 are passive systems designed for use with external amplification and an outboard DSP. They allow users to choose the powering option they prefer and benefit from the same enclosure features and top-of-the-line components as the ALTEA-400 powered versions.

The ALTEA-400 models use the renowned Mi Series loudspeakers. These professional-grade loudspeakers provide precise low frequency reproduction with excellent musicality. The high frequencies are handled by the M-32 compression driver with 1" exit to provide exceptional overall performance. A winning combination of matched components that offer ideal characteristics for music reproduction.

ALTEA 415

DAS Audio Group, S.L. - C/ Islas Baleares 24 - 46988
Fuente del Jarro - Valencia - Spain - Tel. +34961340860
Updated (DD/MM/YYYY): 24/05/2024



SOUND WITH SOUL

SPECIFICATIONS

Performance

Frequency Range (-10 dB)	63 Hz – 20 kHz
Horizontal Coverage (-6 dB)	90°
Vertical Coverage	60°
Nominal Impedance	8 ohms
RMS Power Handling	350 W
Peak Power Handling	1400 W
On-axis Sensitivity 1W/1 m	96 dB SPL
Maximum Peak SPL at 1 m	128 dB
Recommended Amplifier	PA-900

Connectors

Audio Input Connector	1 x speakON NL4
Audio Output Connector	1 x speakON NL4

Enclosure

Enclosure Construction	Polypropylene
Enclosure Geometry	Trapezoidal
Rigging	M8 Rigging Points
Color	Black
Depth	380 mm (15,0 in)
Dimensions (H x W x D)	710 x 440 x 380 mm 28,0 x 17,3 x 15,0 in
Net Weight	16,5 kg (36,4 lb)

ALTEA 415

DAS Audio Group, S.L. - C/ Islas Baleares 24 - 46988
Fuente del Jarro - Valencia - Spain - Tel. +34961340860
Updated (DD/MM/YYYY): 24/05/2024



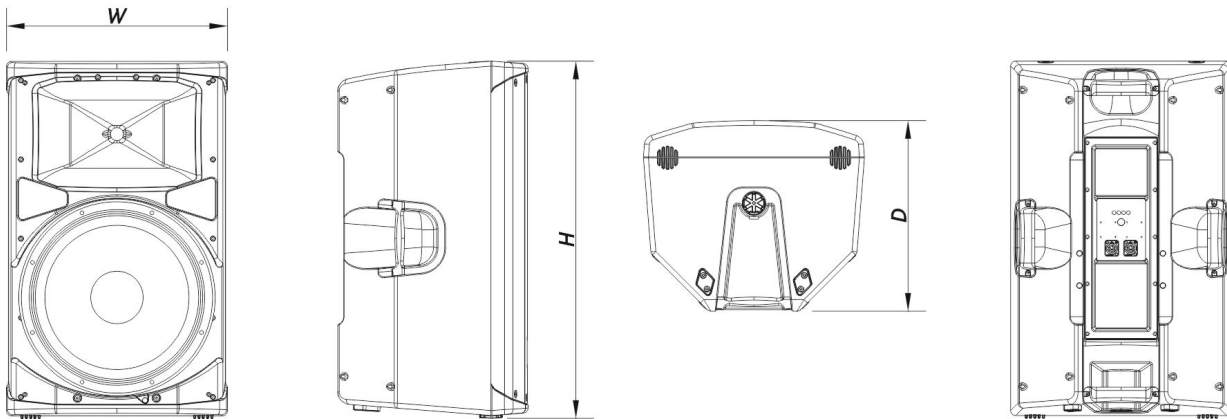
Components

LF Driver	15MI
HF Driver	M-32

Shipping

Carton Dimensions (H x W x D)	805 x 530 x 445 mm 31,7 x 20,9 x 17,5 in
Shipping Weight	20,0 kg (44,1 lb)

DIMENSIONS



ORDERING INFORMATION

Model	Description	P/N
System		
ALTEA-415		10404850
Replacement Parts		
15MI	Cone Transducer	10214290

ALTEA 415

DAS Audio Group, S.L. - C/ Islas Baleares 24 - 46988
Fuente del Jarro - Valencia - Spain - Tel. +34961340860
Updated (DD/MM/YYYY): 24/05/2024



F-AL415	Filter	30008821
GM-15MI	Recone Kit	20208270
LAMP-F-21	Lamp	30000535
M-32	Compression Driver	20208970

Accessories

ANL-1	Rigging Accessories	10101010
ANL-1	Installation & Stacking Acc.	10101010
AX-112-5	Installation & Stacking Acc.	10102390
AXW-ALT	Installation & Stacking Acc.	10102391
FUN-AL715	Transport Accessories	10103781
TRD-6	Installation & Stacking Acc.	10104470
TRD-7	Installation & Stacking Acc.	10104471
TRPD-S2-PAK	Installation & Stacking Acc.	10104011

ALTEA 415

DAS Audio Group, S.L. - C/ Islas Baleares 24 - 46988
Fuente del Jarro - Valencia - Spain - Tel. +34961340860
Updated (DD/MM/YYYY): 24/05/2024

