

*Altea*⁴⁰⁰



ALTEA-412

DAS Audio Group, S.L. - C/ Islas Baleares 24 - 46988
Fuente del Jarro - Valencia - Spain - Tel. +34961340860
Updated (DD/MM/YYYY): 10/10/2024



SOUND WITH SOUL

KEY FEATURES

- 2-way, full range system
- 12" bass loudspeaker
- 1" compression driver
- Angled enclosure design for stage monitor use
- Built-in rigging points
- Stand mountable

DESCRIPTION

ALTEA-412 is a passive system designed to deliver exceptional sound quality across a wide variety of applications, from PA systems at medium-sized events to stage monitors and fixed installations. The ALTEA-412 can reproduce frequencies from 68 Hz to 20 kHz and delivers a maximum SPL of 127 dB, making it an exceptionally versatile system.

The system features a powerful 12" transducer with a 2.5" voice coil for reproducing mid and low frequencies. High frequencies are handled by an M-32 compression driver with a 1" voice coil, providing exceptional performance. The diffuser, designed to provide 90° x 60° dispersion, works with the other components to ensure wide and uniform sound dispersion.

ALTEA-412 is constructed from high-quality polypropylene, making it extremely rugged and relatively lightweight, weighing only 14.5 kg (32.0 lbs). Equipped with integrated ergonomic handles and M8 rigging points, this system is easy to transport and install, offering a practical and efficient solution for any sound setup.

ALTEA-412

DAS Audio Group, S.L. - C/ Islas Baleares 24 - 46988
Fuente del Jarro - Valencia - Spain - Tel. +34961340860
Updated (DD/MM/YYYY): 10/10/2024



SOUND WITH SOUL

SPECIFICATIONS

Performance

Frequency Range (-10 dB)	68 Hz - 20 kHz
Horizontal Coverage (-6 dB)	90°
Vertical Coverage	60°
Nominal Impedance	8 ohms
RMS Power Handling	300 W
Peak Power Handling	1200 W
On-axis Sensitivity 1W/1 m	96 dB SPL
Maximum Peak SPL at 1 m	127 dB
Recommended Amplifier	PA-900

Connectors

Audio Input Connector	1 x speakON NL4
Audio Output Connector	1 x speakON NL4

Enclosure

Enclosure Construction	Polypropylene
Enclosure Geometry	Trapezoidal
Rigging	M8 Rigging Points
Color	Black
Depth	350 mm (13,8 in)
Dimensions (H x W x D)	655 x 380 x 350 mm 25,8 x 15,0 x 13,8 in
Net Weight	14,5 kg (32,0 lb)

ALTEA-412

DAS Audio Group, S.L. - C/ Islas Baleares 24 - 46988
Fuente del Jarro - Valencia - Spain - Tel. +34961340860
Updated (DD/MM/YYYY): 10/10/2024



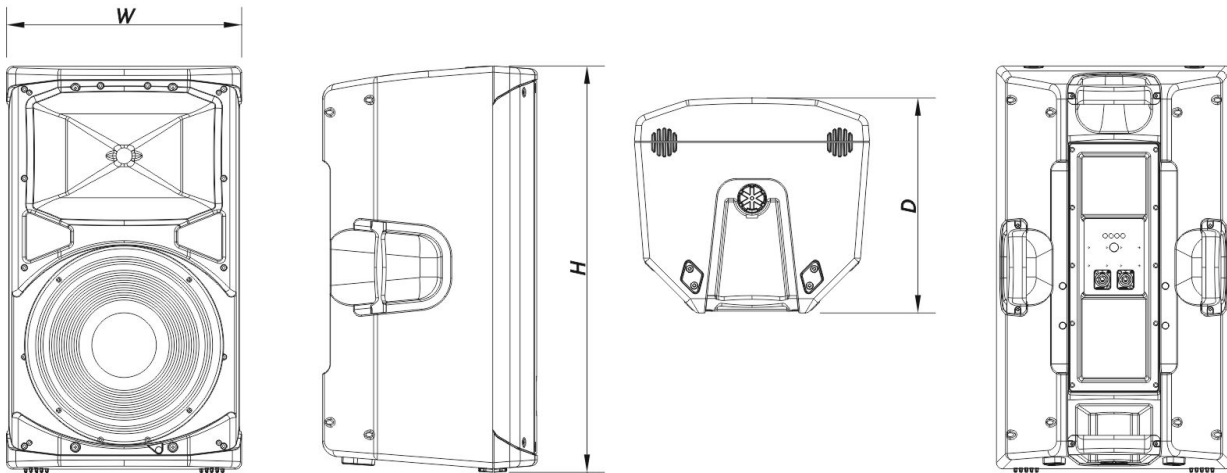
Components

LF Driver	12MI
HF Driver	M-32

Shipping

Carton Dimensions (H x W x D)	750 x 450 x 415 mm 29,5 x 17,7 x 16,3 in
Shipping Weight	17,5 kg (38,6 lb)

DIMENSIONS



ORDERING INFORMATION

Model	Description	P/N
System		
ALTEA-412		10404920

Replacement Parts

ALTEA-412

DAS Audio Group, S.L. - C/ Islas Baleares 24 - 46988
Fuente del Jarro - Valencia - Spain - Tel. +34961340860
Updated (DD/MM/YYYY): 10/10/2024



SOUND WITH SOUL

12MI	Cone Transducer	10214310
GM-12MI	Recone Kit	20208290
LAMP-F-21	Lamp	30000535
M-32	Compression Driver	20208970
TC-ALT412	Filter	20150070

Accessories

ANL-1	Rigging Accessories	10101010
ANL-1	Installation & Stacking Acc.	10101010
AX-112-5	Installation & Stacking Acc.	10102390
AXF-X12	Installation & Stacking Acc.	10104831
AXW-ALT-WR	Installation & Stacking Acc.	10102392
FUN-AL712	Transport Accessories	10103780
TRD-6	Installation & Stacking Acc.	10104470
TRD-7	Installation & Stacking Acc.	10104471
TRPD-S2-PAK	Installation & Stacking Acc.	10104011

ALTEA-412

DAS Audio Group, S.L. - C/ Islas Baleares 24 - 46988
Fuente del Jarro - Valencia - Spain - Tel. +34961340860
Updated (DD/MM/YYYY): 10/10/2024



SOUND WITH SOUL