

Altea⁴⁰⁰



ALTEA-408-WR

DAS Audio Group, S.L. - C/ Islas Baleares 24 - 46988
Fuente del Jarro - Valencia - Spain - Tel. +34961340860
Updated (DD/MM/YYYY): 04/12/2024



SOUND WITH SOUL

KEY FEATURES

- 2-way, full range system
- 8" bass loudspeaker
- 1" compression driver
- Angled enclosure design for stage monitor use
- Built-in rigging points
- Stand mountable

DESCRIPTION

ALTEA-408 is a passive system designed to offer exceptional sound quality in a wide variety of applications, from PA in small events, to stage monitor and fixed installations. Altea-408 is capable of reproducing frequencies from 70 Hz to 20 kHz and delivers a maximum SPL of 122 dB, making it an extremely versatile system.

The system features a powerful 8" transducer with 2" voice coil for the reproduction of mid and low frequencies. For the high frequencies, the system features a compression driver with a 1" voice coil, offering exceptional performance. This configuration ensures exceptional clarity and outstanding performance. The diffuser designed to provide a 90° x 90° dispersion guarantees together with the rest of the components a wide and uniform sound dispersion.

ALTEA-408 is made of high-quality polypropylene, making it an extremely rugged and lightweight system, weighing only 9.4 kg (20.7 lb). Equipped with integrated ergonomic handles and M8 rigging points, this system is easy to transport and install, offering a practical and efficient solution for any sound setup.

The ALTEA-408-WR variant is designed for outdoor and challenging environments, featuring upgraded, weather-resistant components. The INOX grill and screws ensure resilience against the elements, while the triple layer grill protection system, comprised of cloth, foam, and hydrophobic mesh, guards against moisture, dust, and small water particles. A protective covering for the speakON cable further enhances durability. These carefully integrated upgrades result in a high-performance speaker system, well-suited for diverse conditions.

ALTEA-408-WR

DAS Audio Group, S.L. - C/ Islas Baleares 24 - 46988
Fuente del Jarro - Valencia - Spain - Tel. +34961340860
Updated (DD/MM/YYYY): 04/12/2024



SOUND WITH SOUL

SPECIFICATIONS

Performance

Frequency Range (-10 dB)	70 Hz - 20 kHz
Horizontal Coverage (-6 dB)	90°
Vertical Coverage	90°
RMS Power Handling	150 W
Peak Power Handling	600 W
On-axis Sensitivity 1W/1 m	94 dB SPL
Maximum Peak SPL at 1 m	122 dB
Recommended Amplifier	INTEGRAL-A402 INTEGRAL-A1002 INTEGRAL-A1004

Connectors

Audio Input Connector	1 x speakON NL4
Audio Output Connector	1 x speakON NL4

Enclosure

Enclosure Construction	Polypropylene
Enclosure Geometry	Trapezoidal
Rigging	M8 Rigging Points
Color	Black
Depth	260 mm (10,2 in)
Dimensions (H x W x D)	480 x 280 x 260 mm 18,9 x 11,0 x 10,2 in
Net Weight	9,4 kg (20,7 lb)

ALTEA-408-WR

DAS Audio Group, S.L. - C/ Islas Baleares 24 - 46988
Fuente del Jarro - Valencia - Spain - Tel. +34961340860
Updated (DD/MM/YYYY): 04/12/2024

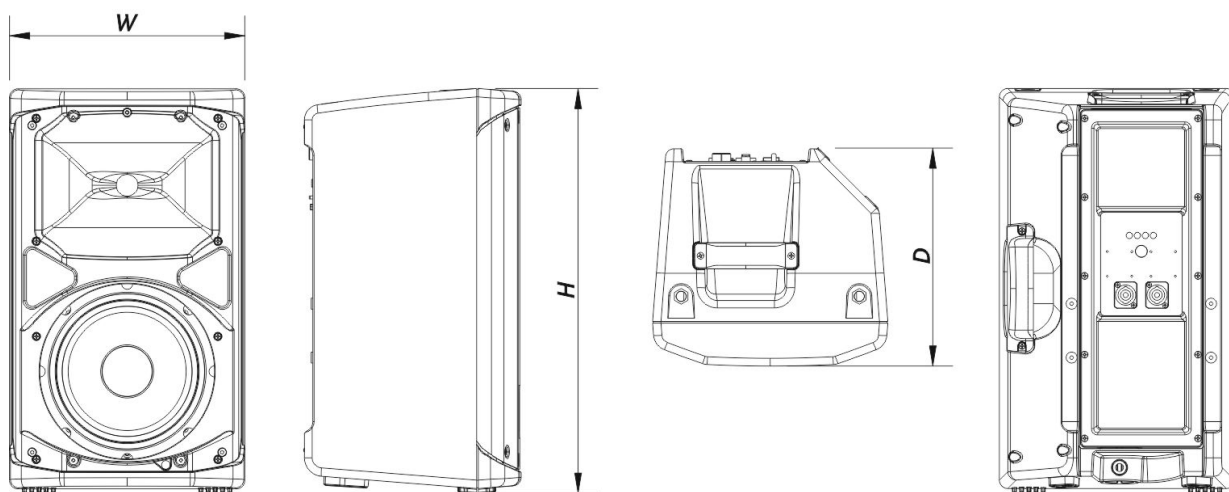


SOUND WITH SOUL

Shipping

Carton Dimensions (H x W x D)	550 x 350 x 340 mm 21,6 x 13,8 x 13,4 in
Shipping Weight	11,3 kg (24,9 lb)

DIMENSIONS



ORDERING INFORMATION

Model	Description	P/N
System		
ALTEA-408-WR		10404993

ALTEA-408-WR

DAS Audio Group, S.L. - C/ Islas Baleares 24 - 46988
Fuente del Jarro - Valencia - Spain - Tel. +34961340860
Updated (DD/MM/YYYY): 04/12/2024



SOUND WITH SOUL