

ACTION 500 *series*



ACTION-508

DAS Audio Group, S.L. - C/ Islas Baleares 24 - 46988
Fuente del Jarro - Valencia - Spain - Tel. +34961340860
Updated (DD/MM/YYYY): 14/10/2024



SOUND WITH SOUL

KEY FEATURES

- Passive two-way system
- Birch plywood enclosure
- Durable ISO-flex paint
- Recommended processor: DSP-226
- Recommended amplifier: PA series

DESCRIPTION

An unparalleled choice when compact size and weight matter, ACTION-508 is a passive system designed to deliver a highly versatile solution, from fixed installations to the popular portable PA application. And its rotatable horn with 90° x 60° dispersion means the enclosure can be used horizontally in a fixed installation, as a stage monitor or even as front fill.

The new 8GV speaker has 150W of power and enhanced excursion capacity for much lower distortion coupled with a higher SPL.

As part of our company culture, all our systems are developed under a single philosophy: to deliver the highest possible quality in terms of both materials and overall system design. In the ACTION-500 series we use the same birch plywood as our touring systems for a tight, natural warm sound found nowhere else on the market.

For long-term optimal performance of the ACTION-500 passive versions, the system can only be a complete sound system when rounded out with our amplifiers and processors with stored presets and limiters.

ACTION-508

DAS Audio Group, S.L. - C/ Islas Baleares 24 - 46988
Fuente del Jarro - Valencia - Spain - Tel. +34961340860
Updated (DD/MM/YYYY): 14/10/2024



SOUND WITH SOUL

SPECIFICATIONS

Performance

Frequency Range (-10 dB)	60 Hz – 20 kHz
Horizontal Coverage (-6 dB)	90°
Vertical Coverage	60°
Nominal Impedance	8 ohms
RMS Power Handling	150 W
Peak Power Handling	600 W
On-axis Sensitivity 1W/1 m	94 dB SPL
Maximum Peak SPL at 1 m	124 dB
Recommended Amplifier	PA-500

Connectors

Audio Input Connector	1 x speakON NL4
Audio Output Connector	1 x speakON NL4

Enclosure

Enclosure Construction	Birch Plywood
Enclosure Geometry	Trapezoidal
Rigging	M8 Rigging Points
Finish	ISO-flex Paint
Color	Black
Depth	260 mm (10,2 in)
Dimensions (H x W x D)	485 x 285 x 260 mm 19,1 x 11,2 x 10,2 in

ACTION-508

DAS Audio Group, S.L. - C/ Islas Baleares 24 - 46988
Fuente del Jarro - Valencia - Spain - Tel. +34961340860
Updated (DD/MM/YYYY): 14/10/2024



SOUND WITH SOUL

Net Weight 10,5 kg (23,1 lb)

Components

LF Driver 8GV

HF Driver M-34

Horn/Waveguide BCT-96

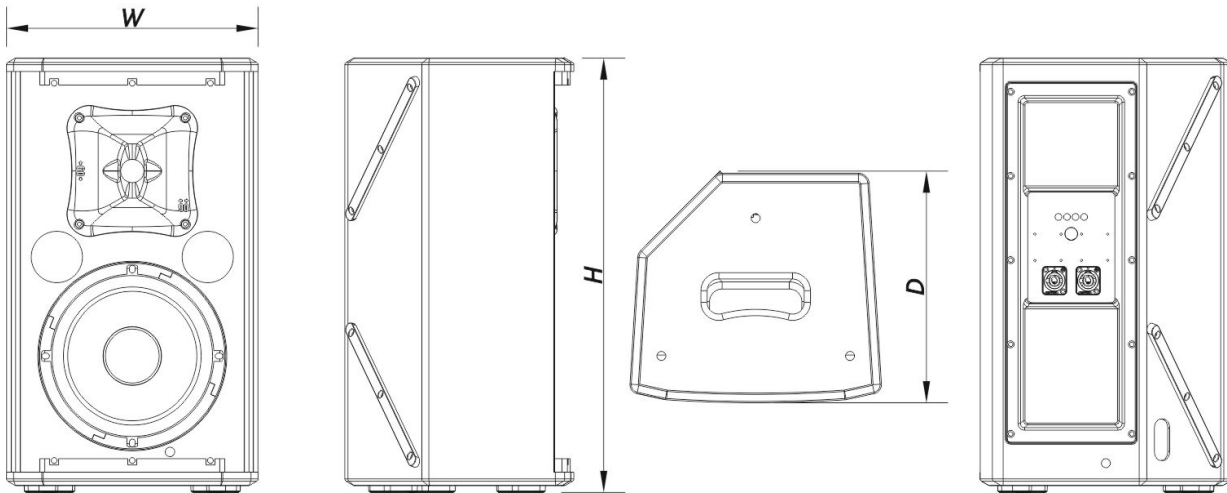
Shipping

Carton Dimensions (H x W x D) 547 x 335 x 307 mm

21,5 x 13,2 x 12,1 in

Shipping Weight 11,5 kg (25,3 lb)

DIMENSIONS



ORDERING INFORMATION

Model	Description	P/N
-------	-------------	-----

System		
--------	--	--

ACTION-508

DAS Audio Group, S.L. - C/ Islas Baleares 24 - 46988
Fuente del Jarro - Valencia - Spain - Tel. +34961340860
Updated (DD/MM/YYYY): 14/10/2024



ACTION-508

10427240

Replacement Parts

8GV	Cone Transducer	20208984
BCT-96	Horn	30006201
F-ACT508	Filter	30009293
GM-M34	Diaphragm	20205060
M-34	Compression Driver	10207080

Accessories

ANL-1	Rigging Accessories	10101010
ANL-1	Installation & Stacking Acc.	10101010
AX-SPG1	Installation & Stacking Acc.	10105050
AXC-AT	Installation & Stacking Acc.	10104310
AXU-ACT8	Installation & Stacking Acc.	10104600
FUN-ACT8	Transport Accessories	10103580
SPK4-1	Electronic Accessories	20502000
SPK4-10	Electronic Accessories	20502001
SPK4-20	Electronic Accessories	20502002
TRD-6	Installation & Stacking Acc.	10104470
TRD-7	Installation & Stacking Acc.	10104471
TRPD-S2-PAK	Installation & Stacking Acc.	10104011

ACTION-508

DAS Audio Group, S.L. - C/ Islas Baleares 24 - 46988
Fuente del Jarro - Valencia - Spain - Tel. +34961340860
Updated (DD/MM/YYYY): 14/10/2024



SOUND WITH SOUL