

# ACTION 500 *series*



## ACTION 512A

---

DAS Audio Group, S.L. - C/ Islas Baleares 24 - 46988  
Fuente del Jarro - Valencia - Spain - Tel. +34961340860  
Updated (DD/MM/YYYY): 09/07/2024



SOUND WITH SOUL

## KEY FEATURES

- Active biamp system
- Dual-channel 1000 W<sub>peak</sub> Class D amplifier
- Birch plywood enclosure
- Durable ISO-flex paint
- DAScontrol™ interface for easy setup and adjustment
- DSP with presets and LCD screen

## DESCRIPTION

ACTION-512A is an active system designed to deliver a highly versatile solution, from fixed installations to the popular portable PA application. Its rotatable horn with 90° x 60° dispersion means the enclosure can be used horizontally in a fixed installation, as a stage monitor or even as front fill.

As part of our company culture, all our systems are developed under a single philosophy: to deliver the highest possible quality in terms of both materials and overall system design. In the ACTION-500 series we use the same birch plywood as our touring systems for a tight, natural warm sound found nowhere else on the market. The series' full range of active tops is complete with two balanced XLR inputs for mic and line, an additional 3.5 mm mini jack input, and a powerCON connection.

The system has a 12MI4 speaker for low frequencies and an M-34 compression driver for high frequencies which, together with the 1000 W<sub>peak</sub> Class D amplifier, deliver outstanding performance. The DAScontrol™ interface uses a high-range 24-bit DSP and rear LCD screen to enable the selection of presets, EQ modes, delay, gain control and signal source mix.

# ACTION 512A

---

DAS Audio Group, S.L. - C/ Islas Baleares 24 - 46988  
Fuente del Jarro - Valencia - Spain - Tel. +34961340860  
Updated (DD/MM/YYYY): 09/07/2024



SOUND WITH SOUL

## SPECIFICATIONS

### Performance

Frequency Range (-10 dB)	50 Hz - 20 kHz
Horizontal Coverage (-6 dB)	90°
Vertical Coverage	60°
Maximum Peak SPL at 1 m	131 dB

### Electronics and Connectors

Nominal Amplifier Power (continuous)	500 W
Nominal Amplifier Power (peak)	1000 W
Input Type	Balanced
Input Impedance	20 kohms
Input Sensitivity	1.95 V (+8 dBu)
Audio Signal Input Connector	2 x Female XLR
AUX Input	1 x 3.5 mm Mini Jack
Audio Signal Loop Thru Connector	1 x Male XLR
Control	DAScontrol™
Current Draw 230 V / 115 V	1.1 A / 2.2 A

### Enclosure

Enclosure Construction	Birch Plywood
Enclosure Geometry	Trapezoidal
Rigging	M10 Rigging Points
Finish	ISO-flex Paint
Color	Black

# ACTION 512A

DAS Audio Group, S.L. - C/ Islas Baleares 24 - 46988  
Fuente del Jarro - Valencia - Spain - Tel. +34961340860  
Updated (DD/MM/YYYY): 09/07/2024



Dimensions ( H x W x D ) 620 x 385 x 380 mm  
24,4 x 15,2 x 15,0 in

Net Weight 20,0 kg ( 44,1 lb )

### Components

LF Driver 12M14

HF Driver M-34

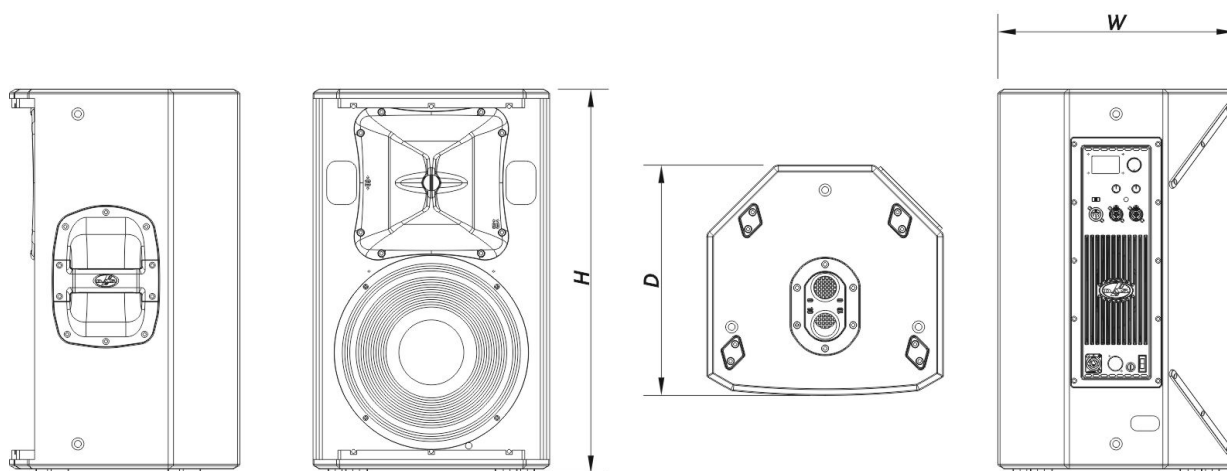
Horn/Waveguide BC-916

### Shipping

Carton Dimensions ( H x W x D ) 690 x 435 x 435 mm  
27,2 x 17,1 x 17,1 in

Shipping Weight 22,5 kg ( 49,6 lb )

## DIMENSIONS



Model	Description	P/N
-------	-------------	-----

# ACTION 512A

DAS Audio Group, S.L. - C/ Islas Baleares 24 - 46988  
Fuente del Jarro - Valencia - Spain - Tel. +34961340860  
Updated (DD/MM/YYYY): 09/07/2024



SOUND WITH SOUL

## ORDERING INFORMATION

### System

---

ACTION-512A	10427247
-------------	----------

---

### Replacement Parts

---

12MI4	Cone Transducer	10214320
BC-916	Horn	30006590
DSP-ACTION-512A	Dsp	20406593
GM-12MI4	Recone Kit	20208300
GM-M34	Diaphragm	20205060
M-34	Compression Driver	10207080
MP-ACT512A	Power Module	20406583
ORBIT300+100UM	Amplifier	30007231

---

### Accessories

---

ANL-2	Rigging Accessories	10101020
AX-SPG1	Installation & Stacking Acc.	10105050
AXC-AT	Installation & Stacking Acc.	10104310
AXF-X12	Installation & Stacking Acc.	10104831
AXU-ACT512	Installation & Stacking Acc.	10104605
FUN-VT12	Transport Accessories	10103710
TRD-6	Installation & Stacking Acc.	10104470
TRD-7	Installation & Stacking Acc.	10104471
TRPD-S2-PAK	Installation & Stacking Acc.	10104011

---

# ACTION 512A

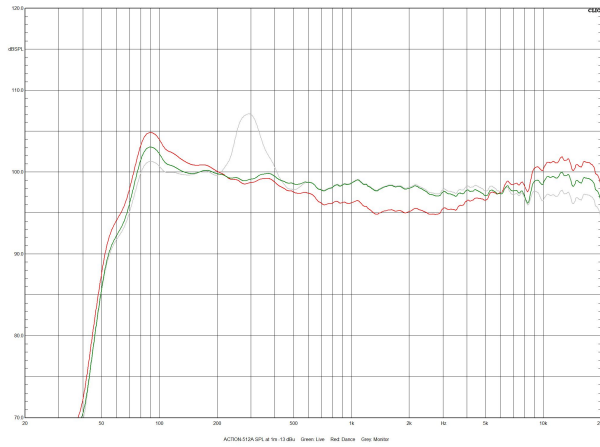
---

DAS Audio Group, S.L. - C/ Islas Baleares 24 - 46988  
Fuente del Jarro - Valencia - Spain - Tel. +34961340860  
Updated (DD/MM/YYYY): 09/07/2024

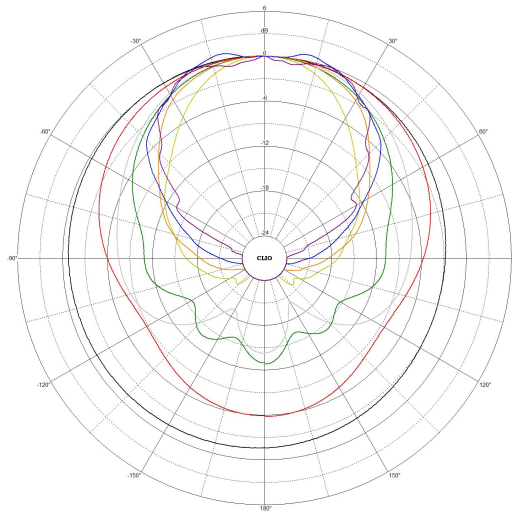


SOUND WITH SOUL

# PERFORMANCE DATA



Frequency Response Curve



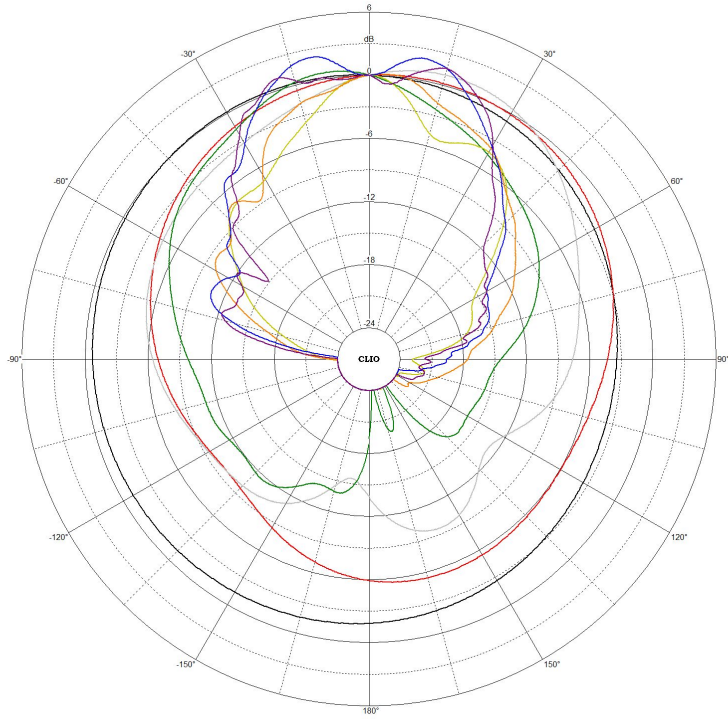
Horizontal Polar Plot

# ACTION 512A

DAS Audio Group, S.L. - C/ Islas Baleares 24 - 46988  
Fuente del Jarro - Valencia - Spain - Tel. +34961340860  
Updated (DD/MM/YYYY): 09/07/2024



120Hz  
200Hz  
500Hz  
1000Hz  
2000Hz  
4000Hz  
8000Hz  
12000Hz



# ACTION 512A

DAS Audio Group, S.L. - C/ Islas Baleares 24 - 46988  
Fuente del Jarro - Valencia - Spain - Tel. +34961340860  
Updated (DD/MM/YYYY): 09/07/2024



SOUND WITH SOUL