

# ACTION 500 *series*



## ACTION-515

---

DAS Audio Group, S.L. - C/ Islas Baleares 24 - 46988  
Fuente del Jarro - Valencia - Spain - Tel. +34961340860  
Updated (DD/MM/YYYY): 14/10/2024



SOUND WITH SOUL

## KEY FEATURES

- Passive two-way system
- Birch plywood enclosure
- Durable ISO-flex paint
- Recommended processor: DSP-226
- Recommended amplifier: PA series

## DESCRIPTION

ACTION-515 is a passive system designed to deliver a highly versatile solution, from fixed installations to the popular portable PA application. Its rotatable horn with 90° x 60° dispersion means the enclosure can be used horizontally in a fixed installation, as a stage monitor or even as front fill.

As part of our company culture, all our systems are developed under a single philosophy: to deliver the highest possible quality in terms of both materials and overall system design. In the ACTION-500 series we use the same birch plywood as our touring systems for a tight, natural warm sound found nowhere else on the market.

For long-term optimal performance of the ACTION-500 passive versions, the system can only be a complete sound system when rounded out with our amplifiers and processors with stored presets and limiters.

# ACTION-515

---

DAS Audio Group, S.L. - C/ Islas Baleares 24 - 46988  
Fuente del Jarro - Valencia - Spain - Tel. +34961340860  
Updated (DD/MM/YYYY): 14/10/2024



SOUND WITH SOUL

## SPECIFICATIONS

### Performance

Frequency Range (-10 dB)	47 Hz – 20 kHz
Horizontal Coverage (-6 dB)	90°
Vertical Coverage	60°
Nominal Impedance	8 ohms
RMS Power Handling	350 W
Peak Power Handling	1400 W
On-axis Sensitivity 1W/1 m	96 dB SPL
Maximum Peak SPL at 1 m	131 dB
Recommended Amplifier	PA-1500

### Connectors

Audio Input Connector	1 x speakON NL4
Audio Output Connector	1 x speakON NL4

### Enclosure

Enclosure Construction	Birch Plywood
Enclosure Geometry	Trapezoidal
Rigging	M10 Rigging Points
Finish	ISO-flex Paint
Color	Black
Depth	385 mm (15,2 in)
Dimensions ( H x W x D )	720 x 445 x 385 mm 28,3 x 17,5 x 15,2 in

# ACTION-515

DAS Audio Group, S.L. - C/ Islas Baleares 24 - 46988  
Fuente del Jarro - Valencia - Spain - Tel. +34961340860  
Updated (DD/MM/YYYY): 14/10/2024



SOUND WITH SOUL

Net Weight 22,0 kg ( 50,2 lb )

### Components

LF Driver 15MI

HF Driver M-34

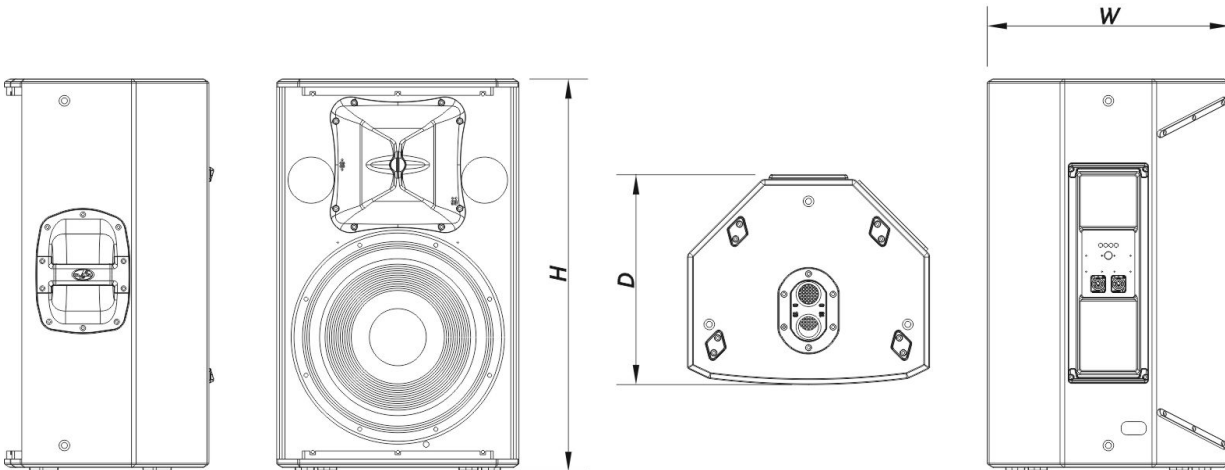
Horn/Waveguide BC-916

### Shipping

Carton Dimensions ( H x W x D ) 785 x 430 x 505 mm  
30,9 x 16,9 x 19,9 in

Shipping Weight 24,5 kg ( 54,0 lb )

## DIMENSIONS



## ORDERING INFORMATION

Model	Description	P/N
System		

# ACTION-515

DAS Audio Group, S.L. - C/ Islas Baleares 24 - 46988  
Fuente del Jarro - Valencia - Spain - Tel. +34961340860  
Updated (DD/MM/YYYY): 14/10/2024



ACTION-515

10427249

---

### Replacement Parts

---

15MI	Cone Transducer	10214290
BC-916	Horn	30006590
F-ACT515	Filter	30009295
GM-15MI	Recone Kit	20208270
GM-M34	Diaphragm	20205060
M-34	Compression Driver	10207080

---

### Accessories

---

ANL-2	Rigging Accessories	10101020
FUN-VT15	Transport Accessories	10103720
SPK4-1	Electronic Accessories	20502000
SPK4-10	Electronic Accessories	20502001
SPK4-20	Electronic Accessories	20502002
TRD-6	Installation & Stacking Acc.	10104470
TRD-7	Installation & Stacking Acc.	10104471
TRPD-S2-PAK	Installation & Stacking Acc.	10104011

---

# ACTION-515

---

DAS Audio Group, S.L. - C/ Islas Baleares 24 - 46988  
Fuente del Jarro - Valencia - Spain - Tel. +34961340860  
Updated (DD/MM/YYYY): 14/10/2024



SOUND WITH SOUL