

Altea 700



ALTEA-712

DAS Audio Group, S.L. - C/ Islas Baleares 24 - 46988
Fuente del Jarro - Valencia - Spain - Tel. +34961340860
Updated (DD/MM/YYYY): 23/07/2024



SOUND WITH SOUL

KEY FEATURES

- Hi-power passive 2-way system
- 2000 W peak power handling
- 12" loudspeaker + M-28 compression driver
- Wide 90° coverage that fills the room
- Lightweight polypropylene enclosure
- Ergonomic handles and floor monitor position
- Integrated M8 rigging points

DESCRIPTION

ALTEA-712 is a passive system designed to deliver exceptional sound quality across a wide variety of applications, from PA systems at medium-sized events to stage monitors and fixed installations. ALTEA-712 can reproduce frequencies from 65 Hz to 20 kHz and delivers a maximum SPL of 131 dB, making it a system capable of adapting to any need.

The system features a powerful 12" transducer designed and manufactured by DAS Audio, which provides deep and powerful bass. For high frequencies, ALTEA-712 incorporates an M-28 compression driver with a 1" output, optimized by FEM analysis to offer brilliant performance and clear, balanced sound reproduction. The diffuser, designed to provide 90° x 60° dispersion, ensures wide and uniform sound distribution together with the other components.

Made of high-quality polypropylene, ALTEA-712 is an extremely rugged and relatively lightweight system, weighing only 16.5 kg (36.4 lb). Equipped with integrated ergonomic handles and M8 rigging points, this system is easy to transport and install, offering a practical and efficient solution for any sound setup.

ALTEA-712

DAS Audio Group, S.L. - C/ Islas Baleares 24 - 46988
Fuente del Jarro - Valencia - Spain - Tel. +34961340860
Updated (DD/MM/YYYY): 23/07/2024



SOUND WITH SOUL

SPECIFICATIONS

Performance

Frequency Range (-10 dB)	65 Hz - 20 kHz
Horizontal Coverage (-6 dB)	90°
Vertical Coverage	60°
Nominal Impedance	8 ohms
RMS Power Handling	500 W
Peak Power Handling	2000 W
On-axis Sensitivity 1W/1 m	98 dB SPL
Maximum Peak SPL at 1 m	131 dB
Recommended Amplifier	PA-1500

Connectors

Audio Input Connector	1 x speakON NL4
Audio Output Connector	1 x speakON NL4

Enclosure

Enclosure Construction	Polypropylene
Enclosure Geometry	Trapezoidal
Rigging	M8 Rigging Points
Color	Black
Depth	350 mm (13,8 in)
Dimensions (H x W x D)	655 x 380 x 350 mm 25,8 x 15,0 x 13,8 in
Net Weight	16,5 kg (36,4 lb)

ALTEA-712

DAS Audio Group, S.L. - C/ Islas Baleares 24 - 46988
Fuente del Jarro - Valencia - Spain - Tel. +34961340860
Updated (DD/MM/YYYY): 23/07/2024



SOUND WITH SOUL

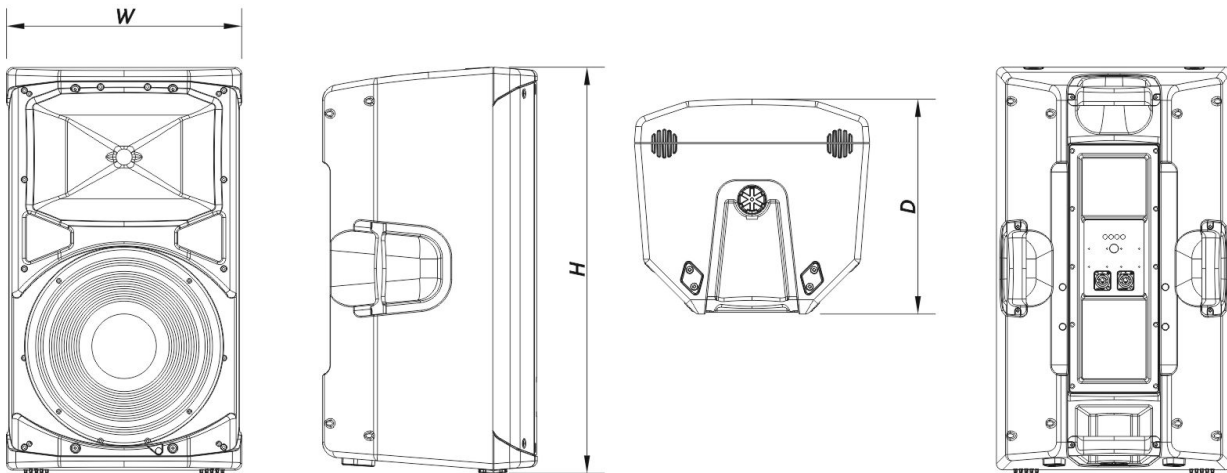
Components

LF Driver	12F
HF Driver	M-28

Shipping

Carton Dimensions (H x W x D)	750 x 450 x 415 mm 29,5 x 17,7 x 16,3 in
Shipping Weight	19,5 kg (43,0 lb)

DIMENSIONS



ORDERING INFORMATION

Model	Description	P/N
System		
ALTEA-712		10404890

Replacement Parts

ALTEA-712

DAS Audio Group, S.L. - C/ Islas Baleares 24 - 46988
Fuente del Jarro - Valencia - Spain - Tel. +34961340860
Updated (DD/MM/YYYY): 23/07/2024



12F	Transducer	20208820
F-AL712	Filter	30008943
GM-12F	Recone Kit	20208460
LAMP-F-21	Lamp	30000535
M-28	Compression Driver	20208800

Accessories

ANL-1	Rigging Accessories	10101010
ANL-1	Installation & Stacking Acc.	10101010
AX-112-5	Installation & Stacking Acc.	10102390
AXF-X12	Installation & Stacking Acc.	10104831
AXW-ALT	Installation & Stacking Acc.	10102391
FUN-AL712	Transport Accessories	10103780
TRD-6	Installation & Stacking Acc.	10104470
TRD-7	Installation & Stacking Acc.	10104471
TRPD-S2-PAK	Installation & Stacking Acc.	10104011

ALTEA-712

DAS Audio Group, S.L. - C/ Islas Baleares 24 - 46988
 Fuente del Jarro - Valencia - Spain - Tel. +34961340860
 Updated (DD/MM/YYYY): 23/07/2024



SOUND WITH SOUL